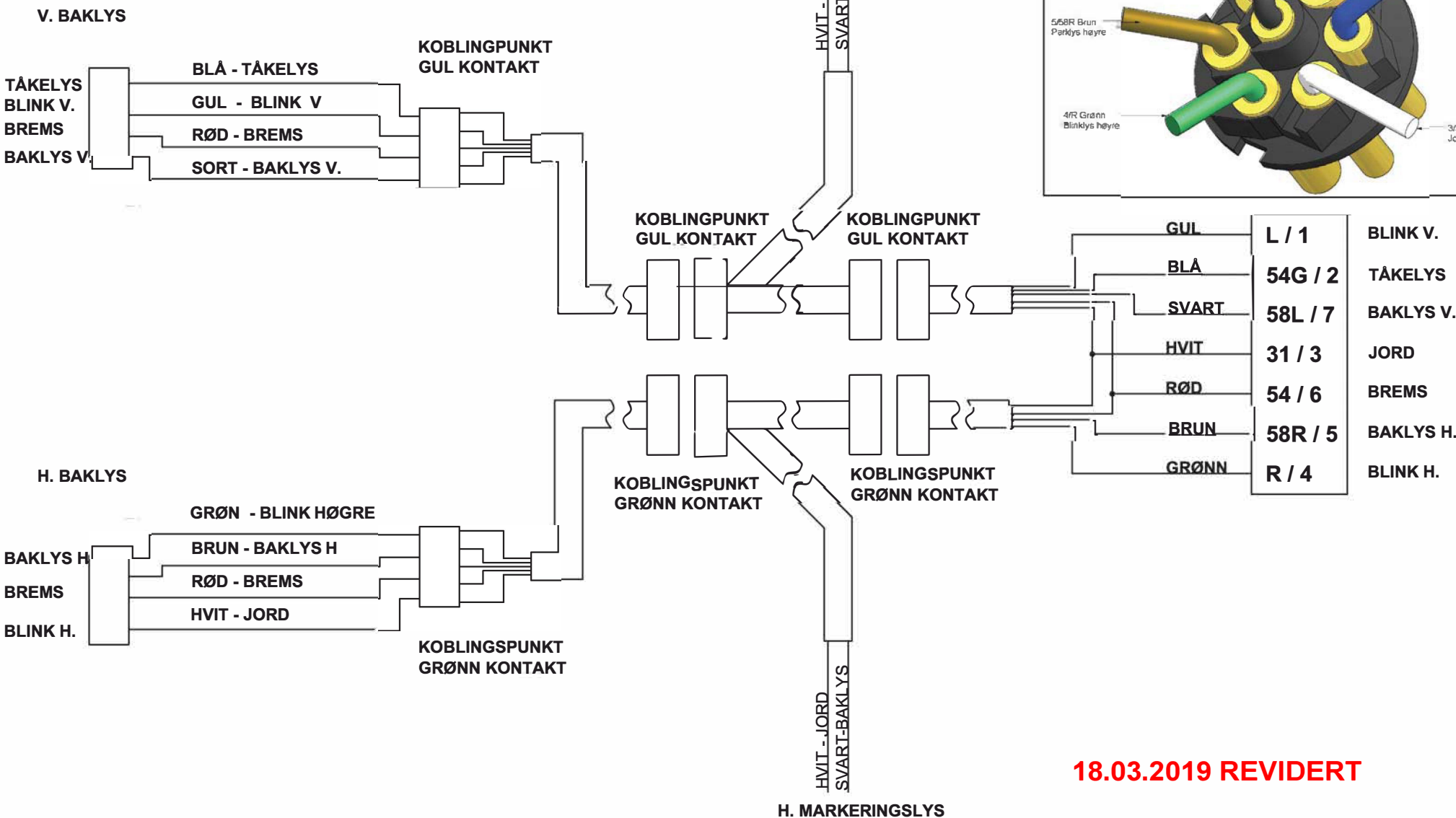


# KOBLINGSSKJEMA HELLA 7 - POL



18.03.2019 REVIDERT



Koblingskjema

Hengere m/HELLA system lys

JOB NUMBER		DRAWING NUMBER	
DESIGNED BY	DRAWN BY	SHEET	
Kenneth	Kenneth	001	
DATE	REV.	CONTSHEET	
20.09.2007		1	

NO.	REVISION	SIGN.	DATE
-----	----------	-------	------