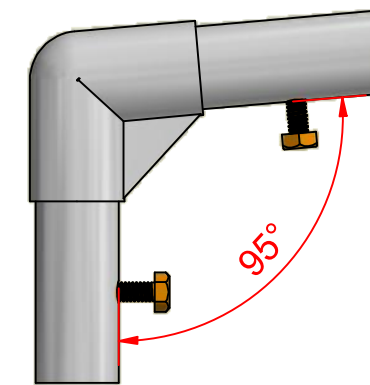
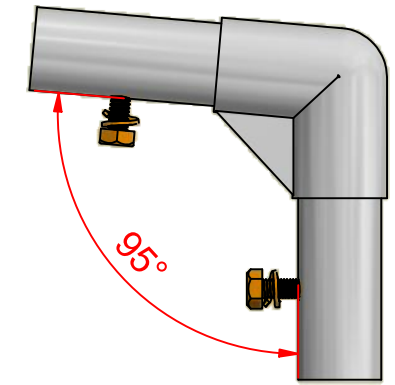
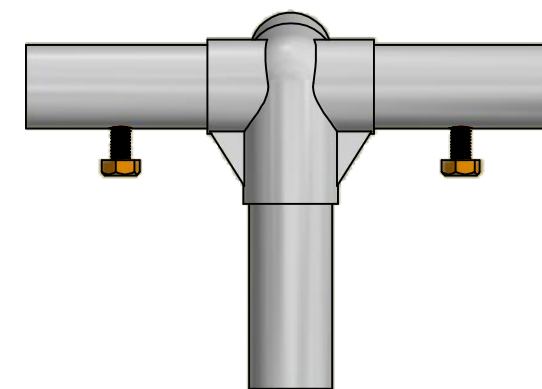
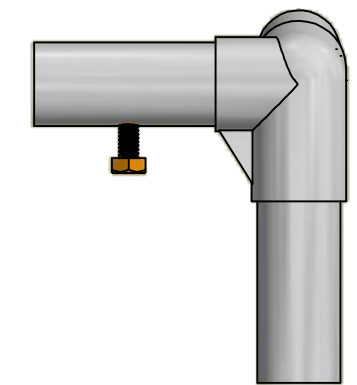


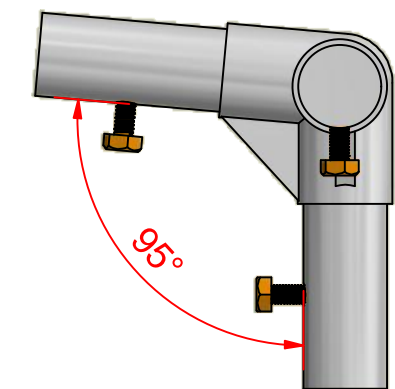
AV
5002172



AH
5002173



C
5002174



Parts List				
Pos	PART NU	QT	DESCRIPTION	Net Weight
1	5002172	2	Alustativ hjørne foran venstre	0,737 kg
2	5002173	2	Alustativ hjørne foran høyre	0,736 kg
3	5002174	2	Alustativ forbindelse midt	0,925 kg
4	5002175	2	Alustativ bein m/hull	0,193 kg
5	5002176	3	Alustativ travers bjelke-132	0,768 kg
6	5002177	4	Alustativ framme bjelke-200	0,555 kg
7	5002178	4	Alustativ bein	0,193 kg
8	5002179	1	Alustativ foran støtte-132	0,943 kg
9	5002180	4	Alustativ framme støtte-200	0,710 kg

Drawn panwei	Approved - Date	Date 13.04.2018	Subject	Scale 1:20	
Tysse Mek. Verksted AS Tlf: 56193200 www.tysse.no tysse@tysse.no			Kapell alustativ borrelås 2005x1395x1000		
			5001122	Rev 1 / 1	Sheet 1 / 1
<small>Tolerances unless otherwise specified, as DIN ISO 2768-m. The copyright of these drawings and of all annexes which are entrusted to a person's care always remain the property of Tysse Mekaniske Verksted AS. They must not be copied or duplicated nor shown to or placed at the disposal of third persons without our written consent.</small>					